

RAVEN 5.6K Institutional Sprinklers Pendent and Horizontal Sidewall Quick Response, Standard and Extended Coverage

General Description

TYCO RAVEN 5.6K Institutional Pendent and Horizontal Sidewall (HSW) Sprinklers are quick response spray sprinklers designed for use in areas such as correctional, detention, and mental health care facilities as well as other commercial buildings. Both the pendent and horizontal sidewall styles are available for Standard Coverage (light and ordinary hazard) or Extended Coverage (light hazard) applications.

- The assembly is designed with tamper-resistant features to help prohibit a false activation.
- This sprinkler is designed to operate when the Inner Link (Ref. Figure 1) is removed manually. While the design of this sprinkler makes manual removal of the Inner Link less likely, this feature negates the possibility of a tampered sprinkler placed in a condition where it would not operate in the event of a fire due to prior part removal.
- This protected, unobtrusive design helps reduce the opportunity for individuals to injure themselves or others with piecemeal components of the sprinkler.
- The flush design is aesthetically appealing by concealing all operating parts.

IMPORTANT

Always refer to Technical Data Sheet TFP700 for the "INSTALLER WARNING" that provides cautions with respect to handling and installation of sprinkler systems and components. Improper handling and installation can permanently damage a sprinkler system or its components and cause the sprinkler to fail to operate in a fire situation or cause it to operate prematurely.

NOTICE

RAVEN Institutional Sprinklers described herein must be installed and maintained in compliance with this document and with the applicable standards of the National Fire Protection Association (NFPA), in addition to the standards of any authorities having jurisdiction. Failure to do so may impair the performance of these devices.

TYCO Fire Protection Products (TFPP) specifically disclaims any liability for damages or injury (including death) arising out of or caused by manipulation, dismantling, or misuse of RAVEN Institutional Sprinklers or the use or attempted use of the RAVEN Institutional Sprinklers or any component thereof as an instrument unrelated to its intended function as a fire protection device.

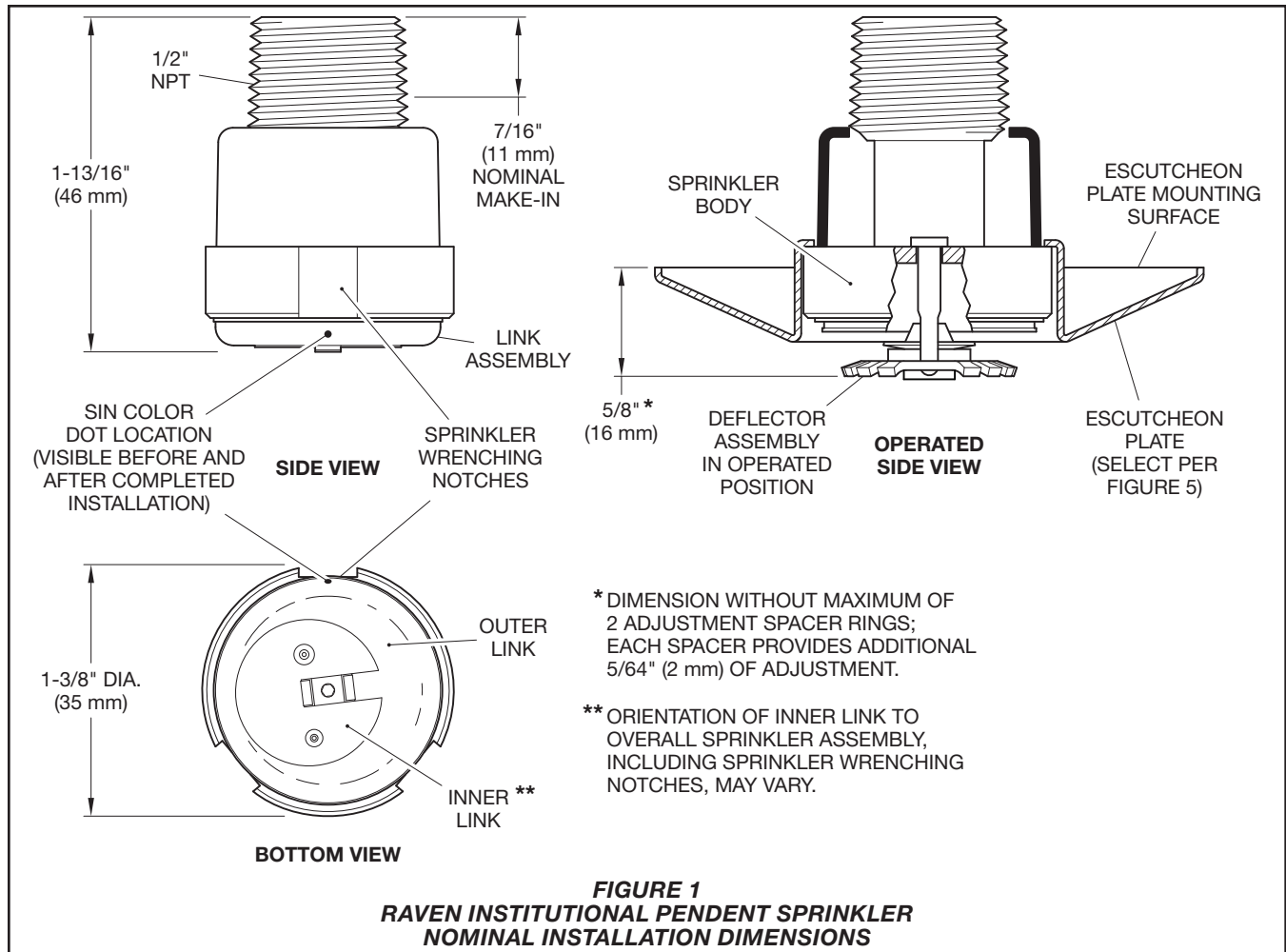
The owner is responsible for maintaining their fire protection system and devices in proper operating condition. Contact the installing contractor or product manufacturer with any questions.



Sprinkler Identification Numbers (SINs)

SIN	DOT COLOR*	APPLICATION
TY3281	Black	Pendent Standard Coverage
TY3282	Green	Pendent Extended Coverage
TY3381	Red	HSW Standard Coverage
TY3382	Purple	HSW Extended Coverage

* Refer to Figures 1 through 4 for SIN Color Dot location.



Technical Data

Approvals

UL and C-UL Listed

Maximum Working Pressure

175 psi (12,1 bar)

Inlet Thread Connection

1/2 inch NPT

Discharge Coefficient

$K=5.6 \text{ gpm/psi}^{1/2}$ (80,6 lpm/bar^{1/2})

Temperature Rating

165°F (74°C)

Finish

Sprinkler: White or Grey

Escutcheon: White, Grey, Chrome Coated (Carbon Steel only), or Electropolished* (Stainless Steel only)

Physical Characteristics

Body Brass
Deflector Assembly Bronze
Sealing Assembly. Beryllium Nickel
w/TEFLON
Link Assembly Copper
Escutcheon Carbon Steel or
Stainless Steel

* Chrome-coated appearance

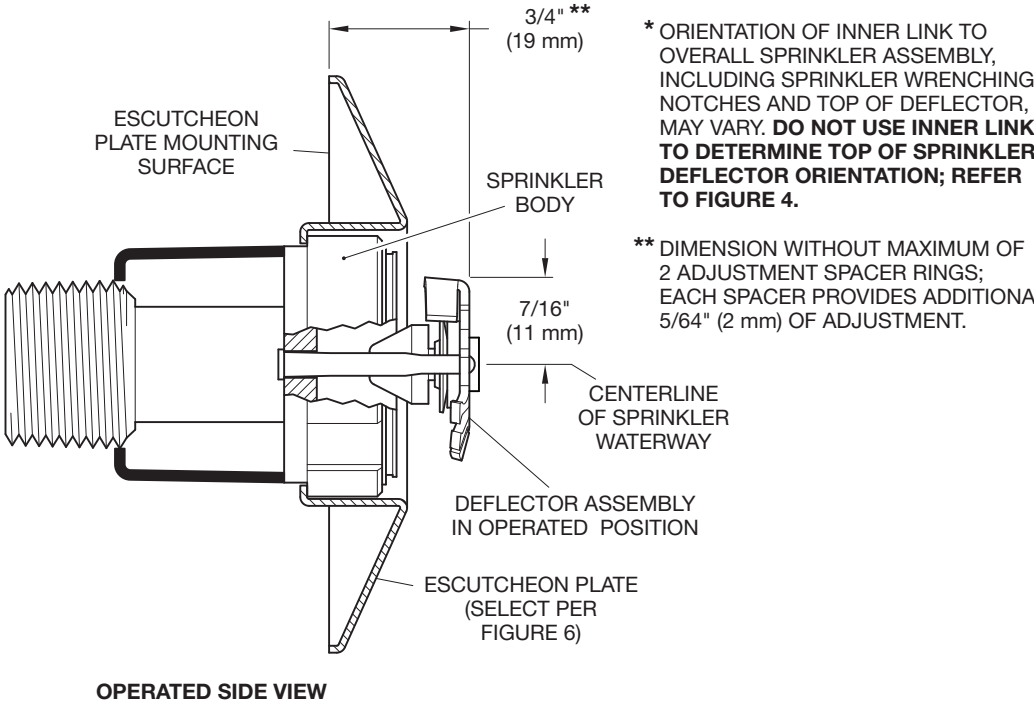
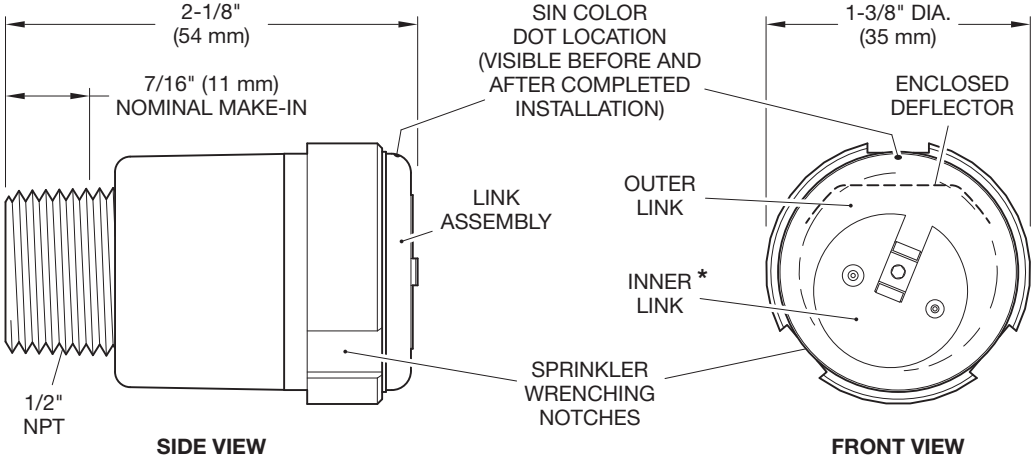
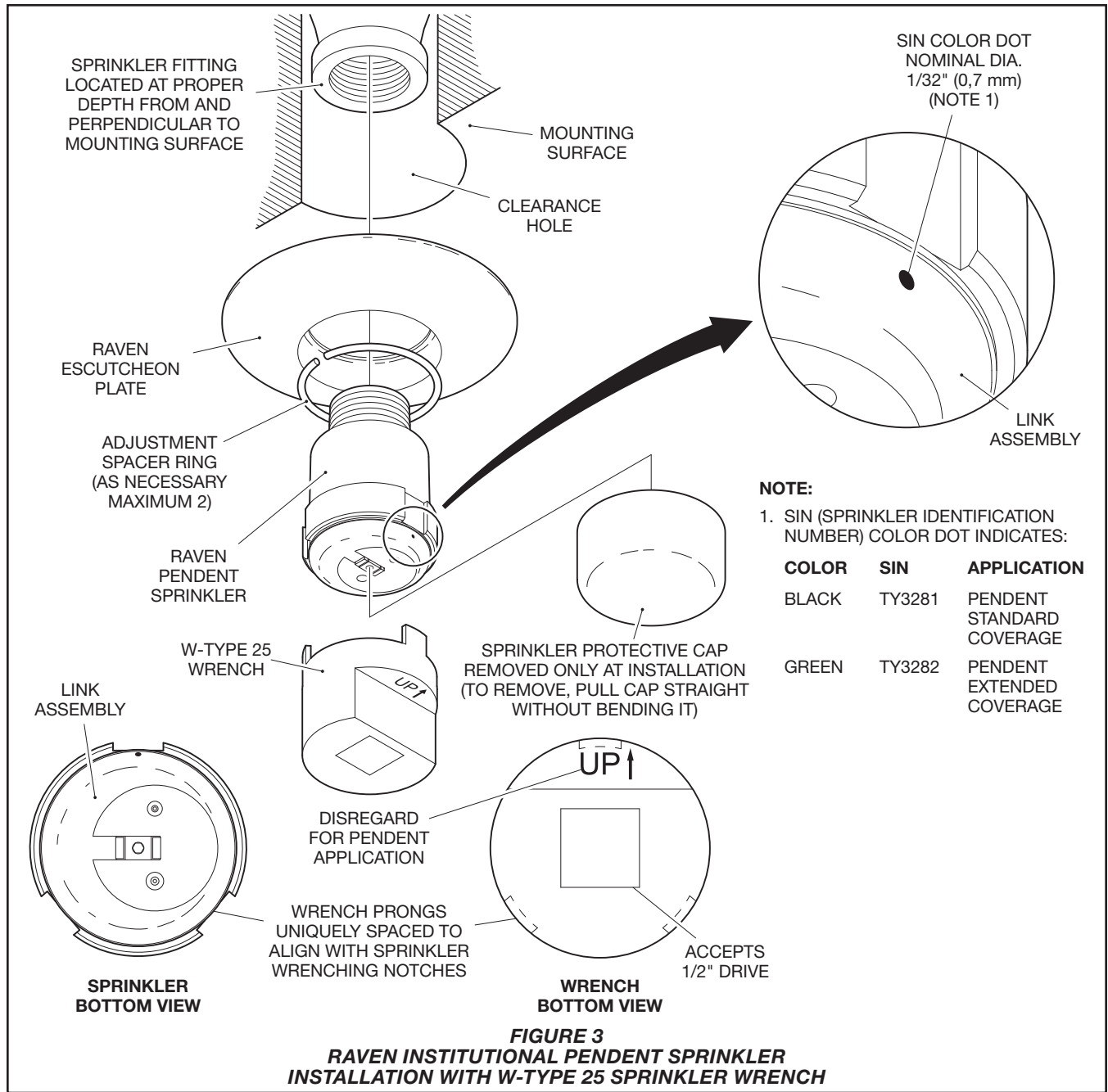
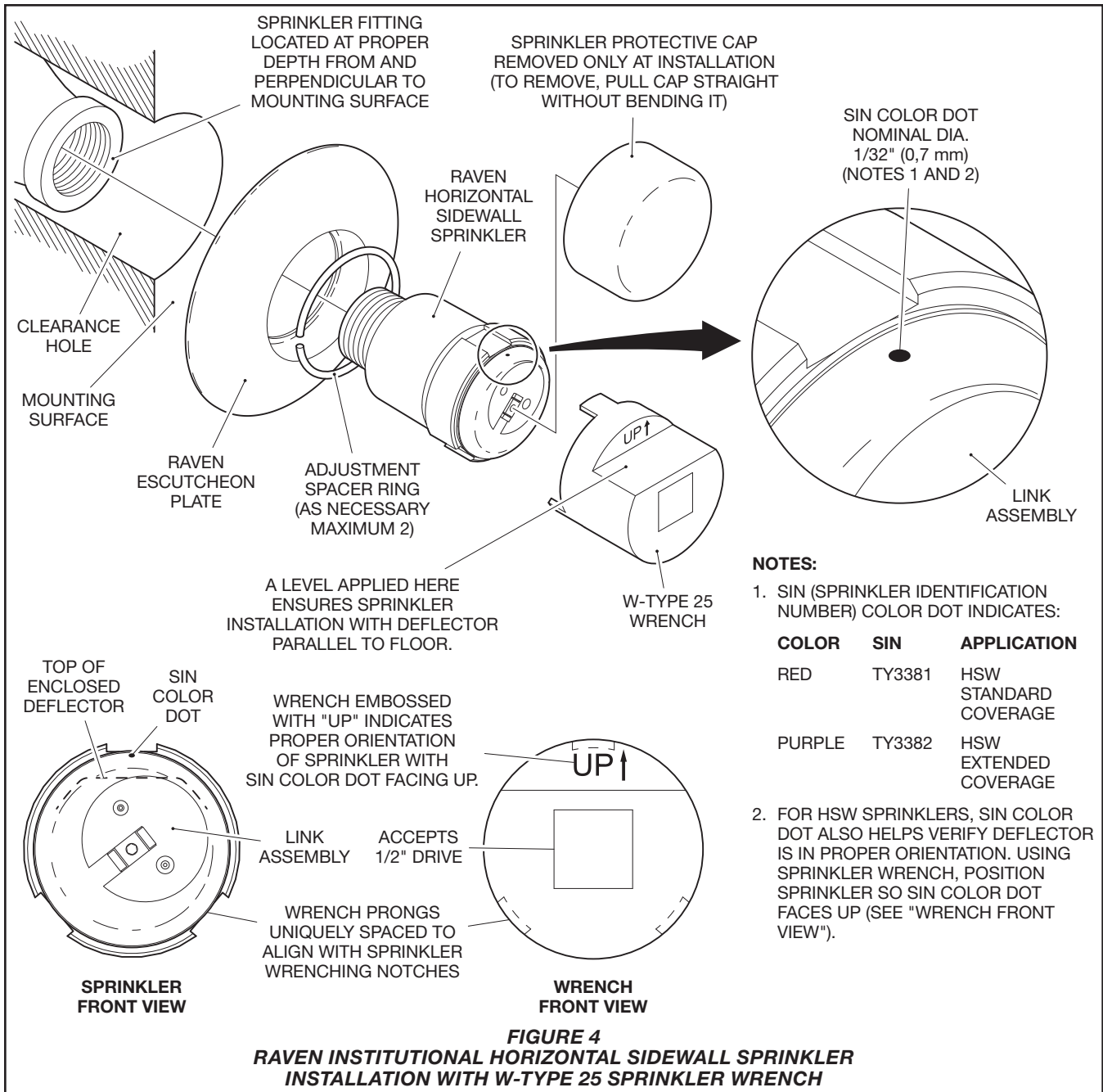


FIGURE 2
RAVEN INSTITUTIONAL HORIZONTAL SIDEWALL SPRINKLER
NOMINAL INSTALLATION DIMENSIONS





5.6K Extended Coverage Pendent (TY3282)						
Response Rating	Coverage Area Ft. x Ft. (m x m)	Minimum Flow ¹ gpm (lpm)	Minimum Pressure ² psi (bar)	Deflector-to-Ceiling Distance Inches (mm)	Sprinkler Temperature Rating °F (°C)	Minimum Spacing Ft. (m)
Quick	16 x 16 (4,9 x 4,9)	26 (98)	21,6 (1,49)	Flush Mounted	165 (74)	8 (2,4)
5.6K Extended Coverage Horizontal Sidewall (TY3382)						
Response Rating	Coverage Area Ft. x Ft. (m x m)	Minimum Flow ¹ gpm (lpm)	Minimum Pressure ² psi (bar)	Deflector-to-Ceiling Distance ³ Inches (mm)	Sprinkler Temperature Rating °F (°C)	Lateral Minimum Spacing ⁴ Ft. (m)
Quick	16 x 16 (4,9 x 4,9)	26 (98)	21,6 (1,49)	4 to 12 (100 to 300)	165 (74)	8 (2,4)

- Notes:**
1. Requirement is based on minimum flow in gpm (lpm) from each sprinkler.
 2. Indicated residual pressures are based on the nominal K-factor.
 3. Centerline of the sprinkler waterway is located 7/16 inch (11,1 mm) below the deflector (Ref. Figure 7).
 4. Minimum spacing is for lateral distance between sprinklers located along a single wall. Otherwise adjacent sprinklers (i.e., sidewall sprinklers on an adjacent wall, on an opposite wall, or pendent sprinklers) must be located outside of the maximum listed protection area of the extended coverage sidewall sprinkler being utilized.

TABLE A
RAVEN INSTITUTIONAL SPRINKLERS
UL AND C-UL LISTING EXTENDED COVERAGE AND FLOW RATE CRITERIA

Design Criteria

General Criteria

Only escutcheons shown in Figures 5 and 6 can be utilized with TYCO RAVEN 5.6K Institutional Pendent and Horizontal Sidewall Sprinklers. A maximum of two spacers can be used to adjust the escutcheons.

NOTICE

Use of more than two spacers may result in disabling the tamper-resistant design of TYCO RAVEN Institutional Sprinklers and, thereby, also disable its principle functions of helping to avoid false sprinkler operations and avoid the opportunity for individuals to injure themselves or others with components of the sprinkler.

Standard Coverage Criteria

RAVEN Standard Coverage, Institutional Pendent and Horizontal Sidewall Sprinklers (TY3281 and TY3381) are intended for use with fire protection systems designed in accordance with the standard installation rules recognized by the applicable listing or approval agency (e.g., UL Listing is based on NFPA 13 requirements).

RAVEN Horizontal Sidewall Sprinklers (TY3381) must be installed with a deflector-to-ceiling distance of 4 to 12 inches (100 to 300 mm). To meet this requirement, the centerline of the sprinkler waterway must be located 4-7/16 to 12-7/16 inches (112,7 to 315,9 mm) below the ceiling (Ref. Figure 7).

Extended Coverage Criteria

RAVEN Extended Coverage, Institutional Pendent and Horizontal Sidewall Sprinklers (TY3282 and TY3382) must be installed in accordance with the flow rate criteria provided in Table A. They must be installed and utilized in light hazard occupancies under smooth, flat, horizontal ceilings as outlined in the applicable installation standard recognized by the listing or approval agency (e.g., UL Listing is based on NFPA 13 requirements).

RAVEN Extended Coverage, Horizontal Sidewall Sprinklers (TY3382) must be installed with a deflector-to-ceiling distance of 4 to 12 inches (100 to 300 mm). To meet this requirement, the centerline of the sprinkler waterway must be located 4-7/16 to 12-7/16 inches (112,7 to 315,9 mm) below the ceiling (Ref. Figure 7).

Operation

In standby condition, the unique assembly of RAVEN Institutional Pendent and Horizontal Sidewall Sprinklers is designed with tamper-resistant features to help prohibit a false activation and help reduce the opportunity for individuals to injure themselves or others with components of a fire sprinkler. RAVEN Institutional Sprinklers are specifically designed to minimize components, as well as holes or shapes, that could provide a point for securing an external non-sprinkler associated object. Also, when properly installed, the escutcheon is held fast to the ceiling or wall to deter its removal. The shape of the sprinkler and escutcheon cannot be grasped easily, which further deters tampering.

For information on the break-away load of RAVEN Institutional Sprinklers, contact Technical Services.

A link assembly covers the sealing assembly. The link is soldered with an eutectic solder that melts when exposed to heat. When the link reaches its rated temperature, the link separates and releases the sealing assembly, allowing the deflector assembly to extend from the body and water to flow.

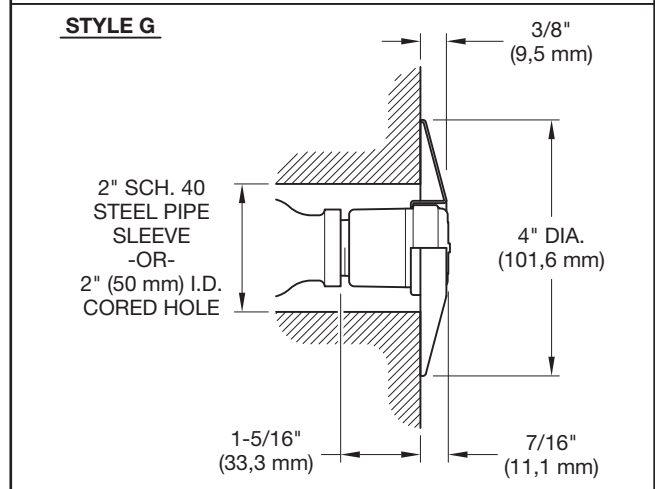
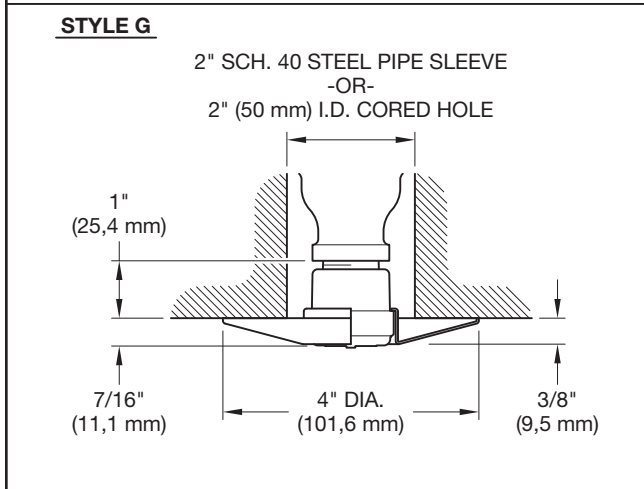
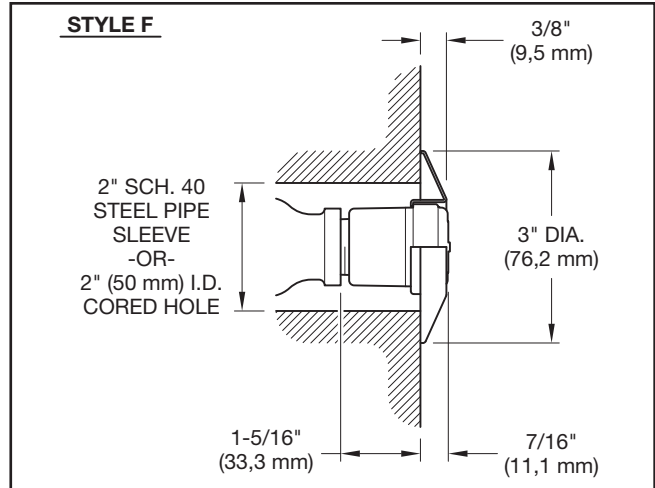
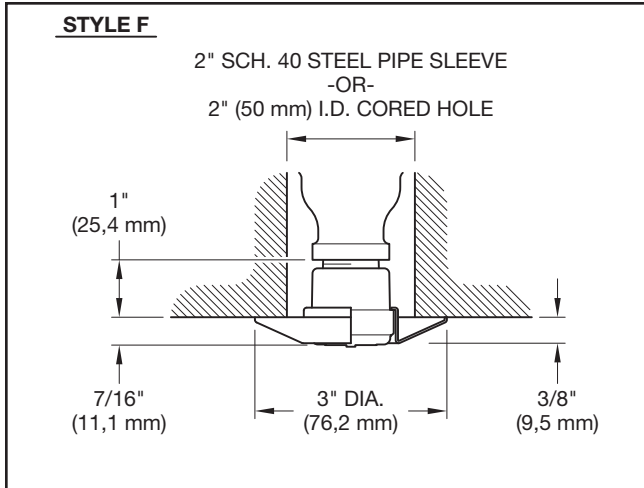


FIGURE 5
RAVEN INSTITUTIONAL PENDENT SPRINKLER ESCUTCHEON OPTIONS

FIGURE 6
RAVEN INSTITUTIONAL HSW SPRINKLER ESCUTCHEON OPTIONS

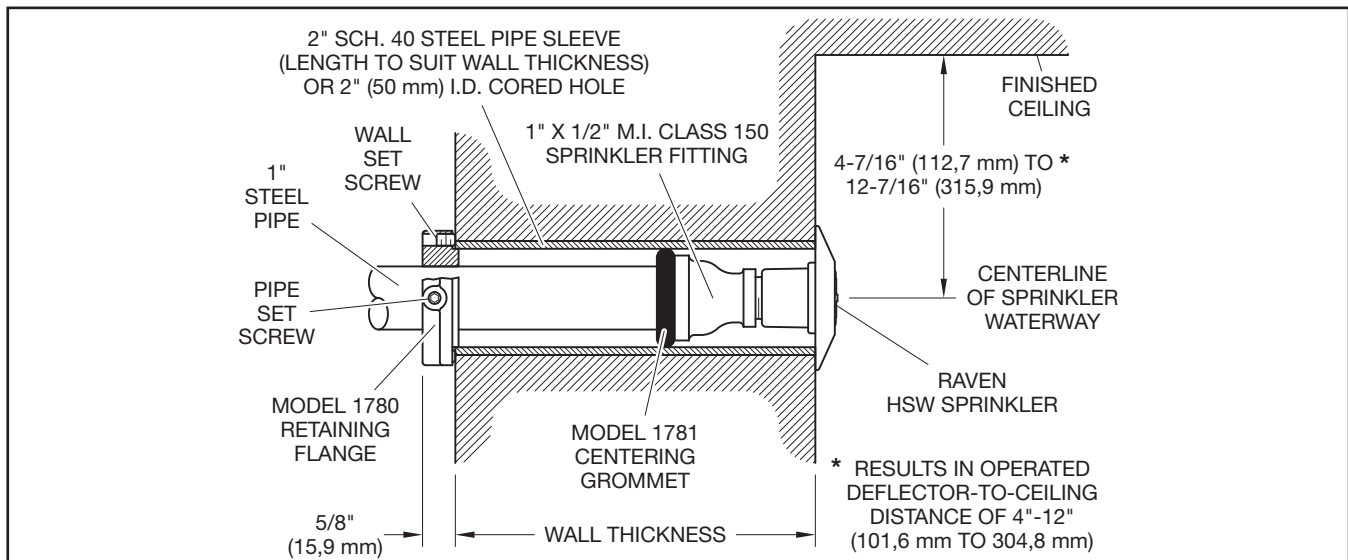


FIGURE 7
MODEL 1780 RETAINING FLANGE AND MODEL 1781 CENTERING GROMMET HORIZONTAL INSTALLATION FOR PENDENT

Installation

TYCO RAVEN 5.6K Institutional Pendent and Horizontal Sidewall Sprinklers must be installed in accordance with this section.

General Instructions

Integrity of the tamper-resistant design of RAVEN Escutcheons is dependent on the piping installation design. When installed properly, the escutcheon is held fast (i.e., tight with no movement or gap) to the mounting surface (ceiling or wall, as applicable) by tightening the sprinkler assembly into the sprinkler fitting. Be careful not to create too much force between the escutcheon and wall, as extensive force may cause issues with the pulling of the sprinkler body from the stem, possibly causing warping, cracks, and leaks.

A tamper-resistant installation requires all of the following:

- The sprinkler fitting must be properly located with respect to distance from the face of the sprinkler fitting to the face of the mounting surface (Ref. Figures 5 & 6).
- The sprinkler fitting must be rigidly secured and immobile through the use of the retaining flange, installed flush to the back of the wall or above the ceiling and secured with the pipe set screws.
- The centerline of the sprinkler fitting must be perpendicular to the mounting surface to assure that the Institutional Escutcheon sits squarely against the mounting surface around its entire perimeter.

Figure 7 illustrates a technique to adjust the location of the sprinkler fitting to help assure immobility of the sprinkler fitting and to help maintain perpendicularity of the sprinkler fitting to the mounting surface.

While Figure 7 illustrates a horizontal installation, it can be applied to pendent installations.

When applied, the technique shown in Figure 7 allows the sprinkler/supply pipe to be pulled back into the mounting surface from behind the wall or above the ceiling, and the retaining flange set flush to the back of the wall or above the ceiling and secured with the retaining flange pipe set screws. This technique will help overcome problems with assuring that the escutcheon is held fast to the mounting surface (i.e., tight with no movement or gap).

It is recommended that flexible sprinkler piping is used to connect the sprinkler pipe to the supply piping to maximize installation flexibility and to ensure that the sprinkler and the escutcheon are installed properly, as shown in Figure 7.

A 1/2 inch NPT sprinkler joint should be obtained by applying a minimum-to-maximum torque of 7 to 14 lbs.-ft. (9,5 to 19,0 Nm). Higher levels of torque may damage the sprinkler with consequent leakage or impairment of the sprinkler. Rather than over-torquing to meet proper orientation for the horizontal sidewall sprinkler, stop tightening earlier.

Do not attempt to compensate for improper location of the sprinkler fitting by under- or over-tightening the sprinkler.

After installation is complete, ensure the RAVEN Escutcheon is held fast (i.e., tight with no movement or gap) to the mounting surface and that the escutcheon sits squarely against the mounting surface around its entire perimeter.

The following tools are recommended for proper installation of RAVEN Institutional Sprinklers:

- TEFLON tape
- TYCO W-Type 25 Installation Wrench
- 1/2 inch drive ratchet wrench
- Torque wrenches
- Ratchet extension (optional)
- Level

NOTICE

Install RAVEN Pendent Sprinklers with the centerline of the waterway perpendicular to the ceiling. Install RAVEN Horizontal Sidewall sprinklers with the centerline of their waterway parallel with the ceiling and perpendicular to the back wall.



Step 1. Inspect the sprinkler for any visible signs of damage that could have occurred during shipping or handling.

Apply a non-hardening pipe-thread sealant such as TEFLON tape to the NPT thread of the sprinkler. Applying between two (2) and four (4) full wraps of tape is recommended.

Carefully remove the orange protective cap from the sprinkler by pulling it straight out without bending it.

Verify that the sprinkler identification number (SIN) and temperature rating located on the side of the sprinkler match installation requirements.

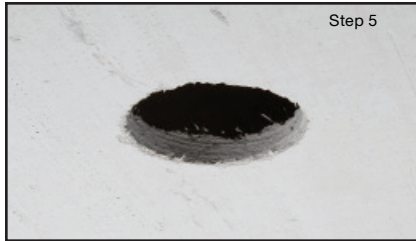
Step 2. Align the TYCO W-Type 25 Installation Wrench with the sprinkler. The flat surface should be in line with the small colored dot on the sprinkler.



Step 3. Ensure that the TYCO W-Type 25 Installation Wrench is fully engaged onto the sprinkler. Fully insert all three Wrench Prongs into the slots on the sprinkler body.



Step 4. With the Wrench on the sprinkler, place the escutcheon over the sprinkler.



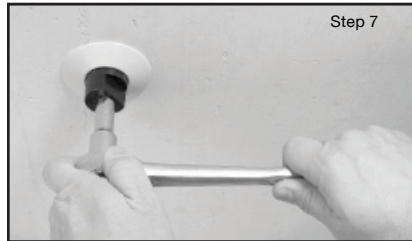
Step 5. Ensure that the ceiling/wall is smooth for the escutcheon to sit against and that the distance from the ceiling/wall surface to the sprinkler fitting is appropriate. As shown in Figures 5 and 6, the take-out dimensions are 1 inch for pendent sprinklers and 1-5/16 inches for horizontal sidewall sprinklers.

NOTICE

The sprinkler has intentionally been designed to be difficult to grasp by hand. Therefore, the use of the W-Type 25 Installation Wrench for hand-tightening assists in threading the sprinkler. Also, use of the W-Type 25 Installation Wrench helps avoid damage to the sprinkler during installation.



Step 6. With the escutcheon in place and with pipe-thread sealant applied to the pipe threads, hand-tighten the sprinkler into the sprinkler fitting using the TYCO W-Type 25 Installation Wrench with the wrench prongs fully engaged with the sprinkler wrenching notches. The wrench prongs are designed to engage the wrenching notches in the sprinkler body, and are also uniquely spaced to align with the sprinkler wrenching notches in one position.



Step 7. Wrench-tighten the sprinkler using only the TYCO W-Type 25 Installation Wrench (Ref. Figure 3).

Insert a 1/2 inch drive ratchet wrench (with or without the extension) into the TYCO W-Type 25 Installation Wrench. Ensure the ratchet wrench remains parallel to the ceiling/wall. A ratchet extension can help to keep the wrench in line with the sprinkler. Torque for the RAVEN Institutional Sprinkler is 7 to 14 lbs.-ft.

NOTICE

To help prevent slippage of the wrench and while using a 1/2 inch drive ratchet wrench, place one hand over the TYCO W-Type 25 Installation Wrench while tightening with the other hand.

A recommended technique to determine if the torque range is achieved involves the use of two different torque wrenches. Adjust first with a 7 ft.-lbs. torque wrench, followed by adjusting with a 14 ft.-lbs. wrench.



Step 8. For horizontal sidewall sprinklers, a Level can be placed on top of the flat surface of the TYCO W-Type 25 Installation Wrench to orient the sprinkler correctly.



Step 9. After installation is complete, ensure that the RAVEN Escutcheon is held fast against the mounting surface and sits squarely against the ceiling around its entire perimeter.

When applied, the technique shown in Figure 7 allows the sprinkler/supply pipe to be pulled back into the mounting surface from behind the wall or above the ceiling, and the retaining flange set flush to the back of the wall or above the ceiling and secured with the retaining flange pipe set screws. Do not over-tighten the wall set screws, as over-tightening these screws may damage the sprinkler.

To verify correct sprinkler application, refer to the Notes in Figures 3 and 4 on SIN color dot indicators.

For horizontal sidewall sprinklers, the SIN color dot also helps verify deflector orientation. In proper installations of RAVEN Horizontal Sidewall Sprinklers, SIN color dots face up.

NOTICE

If the escutcheon is not held fast (i.e., tight with no movement or gap) to the mounting surface and as an option to relocating the sprinkler fitting (increasing the face-of-fitting to face-of-mounting surface distance), up to two (2) Adjustment Spacer Rings as shown in Figure 3 may be utilized. Each Adjustment Spacer Ring can account for 0.075 inches of gap between the escutcheon and mounting surface. Therefore, if the gap is greater than 0.150 inches, the sprinkler fitting will need to be relocated to assure proper installation of both the sprinkler and escutcheon.

Care and Maintenance

TYCO RAVEN 5.6K Institutional Pendent and Horizontal Sidewall Sprinklers must be maintained and serviced in accordance with this section.

Before closing a fire protection system main control valve for maintenance work on the fire protection system that it controls, obtain permission to shut down the affected fire protection system from the proper authorities and notify all personnel who may be affected by this action.

Service inspections should be made on a regular basis to detect possible damage or alterations to the sprinkler and escutcheon. Inspections should include making certain that the RAVEN Institutional Escutcheon is held fast to the mounting surface. Damaged or altered sprinklers are to be replaced immediately to avoid personal injury and to prevent use for causing personal injury, as well as to maintain the sprinkler system in an operative condition.

Sprinklers which are found to be leaking or exhibiting visible signs of corrosion must be replaced.

Automatic sprinklers must never be painted, plated, coated, or otherwise altered after leaving the factory. Modified sprinklers must be replaced. Sprinklers that have been exposed to corrosive products of combustion, but have not operated, should be replaced if they cannot be completely cleaned by wiping the sprinkler with a cloth or by brushing it with a soft bristle brush.

Care must be exercised to avoid damage to the sprinklers before, during, and after installation. Sprinklers damaged by dropping, striking, wrench twist/slippage, or the like, must be replaced. Also, replace any sprinkler that has a cracked bulb or that has lost liquid from its bulb (Ref. Installation section).

Frequent visual inspections are recommended to be initially performed for sprinklers installed in potentially corrosive atmospheres to verify the integrity of the materials of construction as they may be affected by the corrosive conditions present for a given installation. Thereafter, annual inspections per NFPA 25 are required.

The owner is responsible for the inspection, testing, and maintenance of their fire protection system and devices in compliance with this document, as

well as with the applicable standards of the National Fire Protection Association (e.g., NFPA 25), in addition to the standards of any other authorities having jurisdiction. Contact the installing contractor or product manufacturer regarding any questions.

Sprinklers are recommended to be inspected, tested, and maintained by a qualified Inspection Service in accordance with local requirements and/or national codes.

Limited Warranty

For warranty terms and conditions, visit www.tyco-fire.com.

Disclaimer for RAVEN Institutional Sprinklers

TYCO Fire Protection Products specifically disclaims any liability for damages or injury (including death) arising out of or caused by manipulation, dismantling, or misuse of RAVEN Institutional Sprinklers or the use or attempted use of the RAVEN Institutional Sprinklers or any component thereof as an instrument unrelated to its intended function as a fire protection device.

Ordering Procedure

Contact your local distributor for availability. When placing an order, indicate the full product description and part number (P/N).

Sprinkler Assemblies

Specify: RAVEN (Standard or Extended Coverage), 165°F (74°C), Institutional (Pendent or Horizontal Sidewall) Sprinkler with (specify) Finish, and P/N (specify):

Standard Coverage Pendent (TY3281)

White P/N 50-314-4-165
Grey P/N 50-314-9-165

Standard Coverage HSW (TY3381)

White P/N 50-316-4-165
Grey P/N 50-316-9-165

Extended Coverage Pendent (TY3282)

White P/N 50-315-4-165
Grey P/N 50-315-9-165

Extended Coverage HSW (TY3382)

White P/N 50-317-4-165
Grey P/N 50-317-9-165

Separately Ordered Escutcheons Style F (3" Diameter)

Carbon Steel

White P/N 56-314-4-010
Grey P/N 56-314-7-010
Chrome Coated P/N 56-314-9-010

Stainless Steel

White P/N 56-318-4-010
Grey P/N 56-318-7-010
Electropolished* P/N 56-318-9-010

Separately Ordered Escutcheons Style G (4" Diameter)

Carbon Steel

White P/N 56-312-4-010
Grey P/N 56-312-7-010
Chrome Coated P/N 56-312-9-010

Stainless Steel

White P/N 56-319-4-010
Grey P/N 56-319-7-010
Electropolished* P/N 56-319-9-010

* Chrome-coated appearance

Separately Ordered Sprinkler Wrench

Specify: W-Type 25 Installation Wrench, P/N 56-314-1-001

Separately Ordered Parts for Installation in Concrete

Specify: Model 1781 Centering Grommet for installation in concrete, P/N 56-000-1-781

Specify: Model 1780 Retaining Flange with Set Screws for installation in concrete, P/N 56-000-1-780

Separately Ordered Adjustment Spacer Ring

Specify: Adjustment Spacer Ring for use with RAVEN Institutional Sprinklers, P/N 56-000-1-755