

RING JOINT FITTINGS

Shurjoint offers a full range of ring joint fittings for use with Model R-88 ring joint couplings.

- 8" - 16" (200 mm – 400 mm) Models RJ-10, RJ-11 & RJ-60 and RJ-20 are available in cast ductile iron to ASTM A536 Gr. 65-45-12.
- Larger sizes are made of carbon steel standard weight pipe, ASTM A53 Gr. B or equivalent, or fabricated from wrought carbon steel of the equivalent properties.
- Other configurations are also available upon request. Contact **Shurjoint** for details.



RJ-10

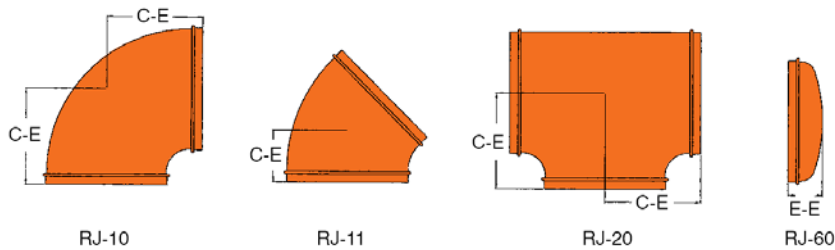


RJ-60

- MODEL RJ-10 RING JOINT 90° ELBOW**
- RJ-11 RING JOINT 45° ELBOW**
- RJ-20 RING JOINT TEE**
- RJ-60 RING JOINT CAP**



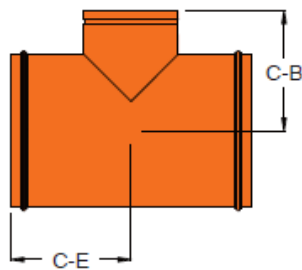
Full warranty terms can be found on www.shurjoint.com



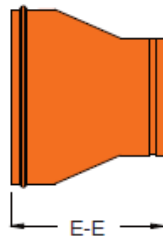
| Models RJ-10 , RJ-11, RJ-20, RJ-60 Ring Joint Fittings | | | | | | | | | | |
|--|---------|-----------------|--------|-----------------|--------|-----------|--------|-----------|--------|--|
| Nominal Size | Pipe OD | RJ-10 90° Elbow | | RJ-11 45° Elbow | | RJ-20 Tee | | RJ-60 Cap | | |
| | | C - E | Weight | C - E | Weight | C - E | Weight | E - E | Weight | |
| in | in | in | Lbs | in | Lbs | in | Lbs | in | Lbs | |
| mm | mm | mm | Kgs | mm | Kgs | mm | Kgs | mm | Kgs | |
| 8 | 8.625 | 7.75 | 28.6 | 4.25 | 20.9 | 7.75 | 46.2 | 3.00 | 12.1 | |
| 200 | 219.1 | 197 | 13.0 | 108 | 9.5 | 197 | 21.0 | 76 | 5.5 | |
| 10 | 10.750 | 9.00 | 55.0 | 4.75 | 39.6 | 9.00 | 72.6 | 3.00 | 13.2 | |
| 250 | 273.0 | 229 | 25.0 | 121 | 18.0 | 229 | 33.0 | 76 | 6.0 | |
| 12 | 12.750 | 10.00 | 77.0 | 5.25 | 50.6 | 10.00 | 103.4 | 3.00 | 17.6 | |
| 300 | 323.9 | 254 | 35.0 | 133 | 23.0 | 254 | 47.0 | 76 | 8.0 | |
| 200 JIS | 8.516 | 7.75 | 28.6 | 4.25 | 20.9 | 7.75 | 46.2 | 3.00 | 12.1 | |
| | 216.3 | 197 | 13.0 | 108 | 9.5 | 197 | 21.0 | 76 | 5.5 | |
| 250 JIS | 10.528 | 9.00 | 55.0 | 4.75 | 39.6 | 9.00 | 72.6 | 3.00 | 13.2 | |
| | 267.4 | 229 | 25.0 | 121 | 18.0 | 229 | 33.0 | 76 | 6.0 | |
| 300 JIS | 12.539 | 10.00 | 77.0 | 5.25 | 50.6 | 10.00 | 103.4 | 3.00 | 17.6 | |
| | 318.5 | 254 | 35.0 | 133 | 23.0 | 254 | 47.0 | 76 | 8.0 | |
| 14 | 14.000 | 11.00 | 81.4 | 6.00 | 52.8 | 11.00 | 118.8 | 4.00 | 26.4 | |
| 350 | 355.6 | 280 | 37.0 | 152 | 24.0 | 280 | 54.0 | 102 | 12.0 | |
| 16 | 16.000 | 12.00 | 99.0 | 7.25 | 101.2 | 12.00 | 154.0 | 4.00 | 33.0 | |
| 400 | 406.4 | 305 | 45.0 | 184 | 46.0 | 305 | 70.0 | 102 | 15.0 | |
| 18 | 18.000 | 27.00 | 209.0 | 11.25 | 105.6 | 15.50 | 268.0 | 5.00 | 46.2 | |
| 450 | 457.2 | 686 | 95.0 | 286 | 48.0 | 394 | 122.0 | 127 | 21.0 | |
| 20 | 20.000 | 30.00 | 203.6 | 12.50 | 110.0 | 17.25 | 337.0 | 6.00 | 57.2 | |
| 500 | 508.0 | 762 | 138.0 | 318 | 50.0 | 438 | 153.0 | 152 | 26.0 | |
| 24 | 24.000 | 36.00 | 485.0 | 15.00 | 176.0 | 20.00 | 466.0 | 6.00 | 77.0 | |
| 600 | 609.6 | 914 | 220.0 | 381 | 80.0 | 508 | 212.0 | 152 | 35.0 | |
| 26 | 26.000 | 39.00 | 521.0 | 16.00 | 262.0 | 22.50 | 766.0 | 10.50 | 110.0 | |
| 650 | 660.4 | 991 | 237.0 | 406 | 119.0 | 572 | 348.0 | 267 | 50.0 | |
| 28 | 28.000 | 42.00 | 605.0 | 17.25 | 304.0 | 23.50 | 862.0 | 10.50 | 123.0 | |
| 700 | 711.2 | 1067 | 275.0 | 438 | 138.0 | 597 | 392.0 | 267 | 56.0 | |
| 30 | 30.000 | 45.00 | 695.0 | 18.50 | 348.0 | 25.00 | 992.0 | 10.50 | 136.0 | |
| 750 | 76.20 | 1143 | 316.0 | 480 | 158.0 | 635 | 451.0 | 267 | 113.0 | |
| 32 | 32.000 | 48.00 | 792.0 | 19.75 | 396.0 | 26.50 | 1135.0 | 10.50 | 248.6 | |
| 800 | 812.8 | 1219 | 360.0 | 502 | 180.0 | 673 | 516.0 | 267 | 113.0 | |
| 34 | 34.000 | 51.00 | 895.0 | 21.00 | 449.0 | 28.00 | 1285.0 | 10.50 | 165.0 | |
| 850 | 863.4 | 1295 | 407.0 | 533 | 204.0 | 711 | 584.0 | 267 | 75.0 | |

| Models RJ-10 , RJ-11, RJ-20, RJ-60 Ring Joint Fittings | | | | | | | | | |
|--|---------|-----------------|--------|-----------------|--------|-----------|--------|-----------|--------|
| Nominal Size | Pipe OD | RJ-10 90° Elbow | | RJ-11 45° Elbow | | RJ-20 Tee | | RJ-60 Cap | |
| | | C - E | Weight | C - E | Weight | C - E | Weight | E - E | Weight |
| in | in | in | Lbs | in | Lbs | in | Lbs | in | Lbs |
| mm | mm | mm | Kgs | mm | Kgs | mm | Kgs | mm | Kgs |
| 36 | 36.000 | 54.00 | 1005.0 | 22.25 | 504.0 | 30.00 | 1445.0 | 10.50 | 334.4 |
| 900 | 914.4 | 1372 | 457.0 | 565 | 229.0 | 762 | 657.0 | 267 | 152.0 |
| 40 | 40.000 | 60.00 | 1241.0 | 24.88 | 620.0 | 33.00 | 1790.0 | 12.00 | 224.0 |
| 1000 | 1016.0 | 1524 | 564.0 | 632 | 282.0 | 838 | 814.0 | 305 | 102.0 |
| 42 | 42.000 | 63.00 | 1368.0 | 26.00 | 684.0 | 35.00 | 1841.0 | 12.00 | 242.0 |
| 1050 | 1066.8 | 1600 | 622.0 | 660 | 311.0 | 889 | 837.0 | 305 | 110.0 |
| 44 | 44.000 | 66.00 | 1503.0 | 27.39 | 752.0 | 36.00 | 2075.0 | 13.50 | 277.0 |
| 1100 | 1117.6 | 1676 | 683.0 | 696 | 342.0 | 914 | 943.0 | 343 | 126.0 |
| 48 | 48.000 | 72.00 | 1790.0 | 29.88 | 895.0 | 40.00 | 2488.0 | 13.50 | 315.0 |
| 1200 | 1219.2 | 1829 | 814.0 | 759 | 407.0 | 1016 | 1131.0 | 343 | 143.0 |

MODEL RJ-21 RING JOINT REDUCING TEE RJ-50 RING JOINT CONCENTRIC REDUCER RJ-51 RING JOINT ECCENTRIC REDUCER



RJ-21



RJ-50

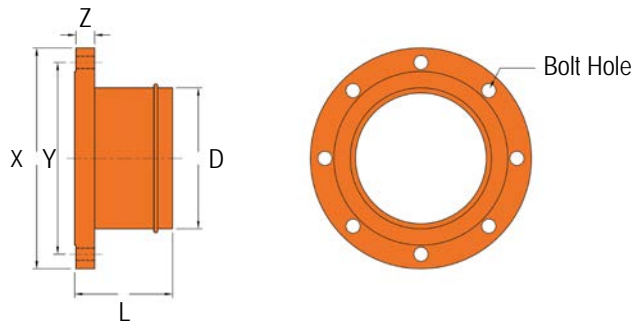


RJ-51

| Models RJ-21, RJ-50, RJ-51 Ring Joint Fittings | | | | | | | | | |
|--|-----------------|--------------------|-------|--------|---------------------|--------|--------------------|--------|--|
| Nominal Size | Pipe OD | RJ-21 Reducing Tee | | | RJ-50 Conc. Reducer | | RJ-51 Ecc. Reducer | | |
| | | C - E | C - B | Weight | E - E | Weight | E - E | Weight | |
| in | in | in | in | Lbs | in | Lbs | in | Lbs | |
| mm | mm | mm | mm | Kgs | mm | Kgs | mm | Kgs | |
| 14 x 12 | 14.000 x 12.750 | 11.00 | 10.62 | 145.0 | 8.00 | 51.0 | 13.00 | 51.0 | |
| 350 x 300 | 355.6 x 323.9 | 279 | 270 | 66.0 | 203* | 23.0 | 330 | 23.0 | |
| 16 x 12 | 16.000 x 12.750 | 12.00 | 11.62 | 172.0 | 9.00* | 64.0 | 9.00* | 64.0 | |
| 400 x 300 | 406.4 x 323.9 | 305 | 295 | 78.0 | 229 | 29.0 | 229 | 29.0 | |
| 16 x 14 | 16.000 x 14.000 | 12.00 | 12.00 | 176.0 | 9.00* | 64.0 | 9.00* | 64.0 | |
| 400 x 350 | 406.4 x 355.6 | 305 | 305 | 80.0 | 229 | 29.0 | 229 | 29.0 | |
| 18 x 12 | 18.000 x 12.750 | 13.50 | 12.62 | 246.0 | 9.50* | 72.6 | 15.00 | 78.0 | |
| 450 x 300 | 457.2 x 323.9 | 343 | 321 | 112.0 | 241 | 33.0 | 381 | 35.0 | |
| 18 x 14 | 18.000 x 14.000 | 13.50 | 13.00 | 253.0 | 15.00 | 79.0 | 15.00 | 79.0 | |
| 450 x 350 | 457.2 x 355.6 | 343 | 330 | 115.0 | 381 | 36.0 | 381 | 36.0 | |
| 18 x 16 | 18.000 x 16.000 | 13.50 | 13.00 | 264.0 | 15.00 | 79.0 | 15.00 | 79.0 | |
| 450 x 400 | 457.2 x 406.4 | 343 | 330 | 120.0 | 381 | 36.0 | 381 | 36.0 | |
| 20 x 12 | 20.000 x 12.750 | 15.00 | 13.62 | 297.0 | 10.00* | 95.0 | 20.00 | 95.0 | |
| 500 x 300 | 508.0 x 323.9 | 381 | 346 | 135.0 | 254 | 43.0 | 508 | 43.0 | |
| 20 x 14 | 20.000 x 14.000 | 15.00 | 14.00 | 304.0 | 20.00 | 99.0 | 20.00 | 99.0 | |
| 500 x 350 | 508.0 x 355.6 | 381 | 356 | 138.0 | 508 | 45.0 | 508 | 45.0 | |
| 20 x 16 | 20.000 x 16.000 | 15.00 | 14.00 | 317.0 | 20.00 | 101.0 | 20.00 | 101.0 | |
| 500 x 400 | 508.0 x 406.4 | 381 | 356 | 144.0 | 508 | 46.0 | 508 | 46.0 | |
| 20 x 18 | 20.000 x 18.000 | 15.00 | 14.50 | 328.0 | 20.00 | 128.0 | 20.00 | 128.0 | |
| 500 x 450 | 508.0 x 457.2 | 381 | 368 | 149.0 | 508 | 58.0 | 508 | 58.0 | |
| 24 x 12 | 24.000 x 12.750 | 17.00 | 15.62 | 396.0 | 12.00* | 154.0 | 20.00 | 154.0 | |
| 600 x 300 | 609.6 x 323.9 | 432 | 397 | 180.0 | 305 | 70.0 | 508 | 70.0 | |
| 24 x 14 | 24.000 x 14.000 | 17.00 | 16.00 | 407.0 | 20.00 | 154.0 | 20.00 | 154.0 | |
| 600 x 350 | 609.6 x 355.6 | 432 | 406 | 185.0 | 508 | 70.0 | 508 | 70.0 | |
| 24 x 16 | 24.000 x 16.000 | 17.00 | 16.00 | 418.0 | 12.00* | 154.0 | 20.00 | 154.0 | |
| 600 x 400 | 609.6 x 406.4 | 432 | 406 | 190.0 | 305 | 70.0 | 508 | 70.0 | |
| 24 x 18 | 24.000 x 18.000 | 17.00 | 16.50 | 433.0 | 20.00 | 154.0 | 20.00 | 154.0 | |
| 600 x 450 | 609.6 x 457.2 | 432 | 419 | 197.0 | 508 | 70.0 | 508 | 70.0 | |
| 24 x 20 | 24.000 x 20.000 | 17.00 | 17.00 | 444.0 | 12.00* | 156.0 | 20.00 | 156.0 | |
| 600 x 500 | 609.6 x 508.0 | 432 | 432 | 202.0 | 305 | 71.0 | 508 | 71.0 | |

C-E: Mfr's standard. E-E marked (*): Mfr's standard (made of ductile iron). All other E-E: ANSI B16.9..

MODEL RJ-70 RING JOINT FLANGE ADAPTER - ANSI CLASS 125 / 150



| Model RJ-70 Ring Joint Flange Adapter | | | | | | | | | |
|---------------------------------------|-----------------|-----------------|------------------|---------------|-----------|-----------|-----|----------|----------------|
| Nominal Size | Pipe O.D. D | X | Y | Z | Bolt Size | Bolt Hole | | L | Weight |
| | | | | | | Dia. | No. | | |
| in mm | in mm | in mm | in mm | in mm | in | in | | in mm | Lbs Kgs |
| 8 200 | 8.625 219.1 | 13.500 343.0 | 11.750 298.0 | 1.125 29.0 | 3/4 | 7/8 | 8 | 6 152 | 44.9 20.4 |
| 10 250 | 10.750 273.0 | 16.000 406.4 | 14.250 362.0 | 1.180 30.0 | 7/8 | 1 | 12 | 8 203 | 67.1 30.5 |
| 12 300 | 12.750 323.9 | 19.000 483.0 | 17.000 432.0 | 1.250 32.0 | 7/8 | 1 | 12 | 8 203 | 98.1 44.6 |
| 14 350 | 14.000 355.6 | 21.000 533.0 | 18.750 476.25 | 1.377 35.0 | 1 | 1 1/8 | 12 | 8 203 | 118.8 54.0 |
| 16 400 | 16.000 406.4 | 23.500 597.0 | 21.250 539.75 | 1.456 37.0 | 1 | 1 1/8 | 16 | 8 203 | 147.0 66.8 |
| 18 450 | 18.000 457.2 | 25.000 635.0 | 22.751 577.9 | 1.059 26.9 | 1 1/8 | 1 1/4 | 16 | 8 203 | 143.0 65.0 |
| 20 500 | 20.000 508.0 | 27.519 699.0 | 25.000 635.0 | 1.692 43.0 | 1 1/8 | 1 1/4 | 20 | 8 203 | 169.4 77.0 |
| 24 600 | 24.000 609.6 | 32.031 813.6 | 29.500 749.3 | 1.889 48.0 | 1 1/4 | 1 3/8 | 20 | 8 203 | 286.9 130.4 |

L: Mfr's standard

MATERIAL SPECIFICATIONS

• Fitting body:

- Ductile Iron to ASTM A536 Gr. 65-45-12 and or to ASTM A395, Gr. 65-45-15. min. tensile strength 65,000 psi (448 MPa).
- Carbon steel Sch. 40 pipe to ASTM A53 or 0.375" (9.5 mm) wall pipe of ASTM A234 Gr. WPB

• Surface Finish:

- Standard painted finishes in orange or RAL3000 red.
- Hot dip zinc galvanized (Option).
- Epoxy Coatings in RAL3000 red or other colors (Option)

• Rings:

- Carbon Steel.
- Stainless steel: 304, 316, 316L.

General Notes:

- **Maximum Working Pressure (CWP)** conforms to ratings of installed coupling.
- **Field Joint Test:** For one time only the system may be tested hydrostatically at 1 1/2 times the maximum working pressure listed (AWWA C606 5.2.3).
- **Warning:** Piping systems must always be depressurized and drained before attempting disassembly and or removal of any components.
- **The 10 Year Limited Warranty** applies to manufacturing defects only and does not cover severe service/temperature applications or wear parts.
- **Shurjoint** reserves the right to change specifications, designs and or standard equipment without notice and without incurring any obligation.

| | | |
|-------------|------------|-----------|
| Job Name: | System No. | Location: |
| Contractor: | Approved: | Date: |
| Engineer: | Approved: | Date: |

Shurjoint product specifications in U.S. customary units and metric are approximate and are provided for reference only. For precise measurements, please contact **Shurjoint** Technical Service. **Shurjoint** reserves the right to change or modify product design, construction, specifications, or materials without prior notice and without incurring any obligations to make such changes and modifications on **Shurjoint** products previously subsequently sold.