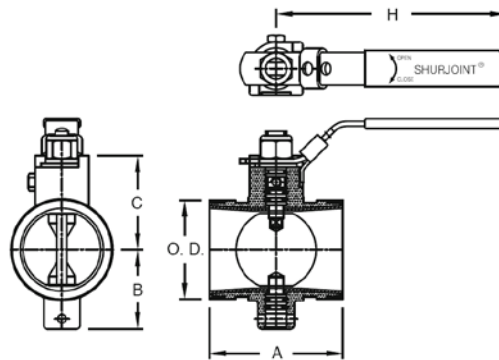


MODEL SJ-200 LOW-PROFILE BUTTERFLY VALVE

The **Shurjoint** Model SJ-200 Butterfly Valve is a low profile, grooved-end butterfly valve for oil & gas and or mining services. Working pressure is rated up to 232 psi / 1600 kPa and service temperatures up to +180°F/+82°C (Nitrile body liner). The Model SJ-200 features a fully rubber lined body with 316 stainless steel disc. The end-to-end dimensions conform to MSS SP-67. The lever handle is equipped with a tamper resistant locking device.



Model SJ-200 Low-Profile Butterfly Valve								
Nominal Size	Pipe O.D.	Max. Working Pressure (CWP)*	Dimensions				Approx. Weight	
			A	B	C	H		
in mm	in mm	PSI Bar	in mm	in mm	in mm	in mm	Lbs Kgs	
2 50	2.375 60.3	232 16	3.19 81	1.89 48	2.25 57	5.51 140	2.0 0.9	
2½ 65	2.875 73.0	232 16	3.82 97	2.13 54	2.65 67	7.48 190	3.3 1.5	
3 80	3.500 88.9	232 16	3.82 97	2.44 62	2.94 75	7.48 190	4.2 1.9	
4 100	4.500 114.3	232 16	4.57 116	3.00 76	3.82 97	10.79 274	8.6 3.9	
6 150	6.625 168.3	232 16	5.83 148	4.09 104	4.57 116	10.79 274	22.2 10.1	
8 200	8.625 219.1	232 16	5.25 133	5.50 140	6.00 152	10.79 274	27.9 11.3	

*Working pressure is based on connection with roll- or cut-grooved standard wall carbon steel pipe.

MODEL SJ-200 MATERIAL SPECIFICATIONS

- **Valve Body:**
Ductile Iron to ASTM A536, Gr. 65-45-12 and or to ASTM A395, Gr. 65-15-45, min tensile strength 65,000 psi (448 MPa).
- **Disc:**
Stainless Steel CF8M (316).
- **Valve Body Coating:**
Epoxy paint, black.
- **Valve Body Liner:**
Grade "T" Nitrile (color code: Orange stripe) (Option)
Recommended for petroleum products, vegetable oils, mineral oils and air with oil vapors. Temperature range: -20°F to +180°F (-29°C to +82°C). Also good for water services under +150°F (+66°C).
- **Upper & Lower Shafts:**
Stainless steel Type 416.
- **O-ring:**
NBR
- **Nut:**
Carbon steel nylon lock nut, zinc electro plated.
- **Lever Handle:**
Carbon steel, zinc electro plated with plastic grip.

Do not use for HOT WATER above +150° F (+66 °C) or HOT DRY AIR above +140° F (+60 °C)

General Notes:

- **Maximum Working Pressure (CWP)** listed is the maximum cold water pressure for general piping services tested to ASTM F1476 and or AWWA C606 methods. Figures listed are based on roll- or cut-grooved standard wall carbon steel pipe. For other pipe schedules or pipe materials, contact **Shurjoint** for additional information.
- **Field Joint Test:** For one time only the system may be tested hydrostatically at 1½ times the maximum working pressure listed (AWWA C606 5.2.3).
- **Warning:** Piping systems must always be depressurized and drained before attempting disassembly and or removal of any components.
- **The 10 Year Limited Warranty** applies to manufacturing defects only and does not cover severe service/temperature applications or wear parts.
- **Shurjoint** reserves the right to change specifications, designs and or standard without notice and without incurring any obligations.

Job Name:	System No.	Location:
Contractor:	Approved:	Date:
Engineer:	Approved:	Date:

Shurjoint product specifications in U.S. customary units and metric are approximate and are provided for reference only. For precise measurements, please contact **Shurjoint** Technical Service. **Shurjoint** reserves the right to change or modify product design, construction, specifications, or materials without prior notice and without incurring any obligations to make such changes and modifications on **Shurjoint** products previously subsequently sold.