

MODEL SJ-600L BALL VALVE WITH LEVER HANDLE

The Model SJ-600L is a stainless steel, grooved-end, two-piece, full port ball valve designed and tested in conformance with MSS SP-110 and SP-72. The lever handle is equipped with tamper resistant locking holes. The SJ-600L is comprised of a stainless steel body and end cap, virgin TFE seats and stainless steel trim. The valve is supplied standard in CF8M (316).



Size: 1½" - 3"

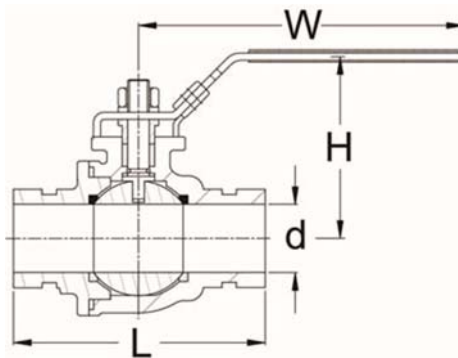
Size: 4"

MODEL SJ-600W BALL VALVE WITH GEAR OPERATOR

The Model SJ-600 can be also supplied with a worm gear operator. The standard gear operator is supplied with a bracket and extension sleeve. The ISO 5211 mounting pad allows for mounting of other power actuators.



MODEL SJ-600L BALL VALVE WITH LEVER HANDLE



Model SJ-600L Ball Valve with Lever Handle									
Nominal Size	Pipe O.D.	Max. Working Pressure (CWP)*	Operating Torque‡	Dimensions			d	Weight [^]	
				L	H	W			
in	in	PSI	Lbs-in	in	in	in	in	Lbs	
mm	mm	Bar	Nm	mm	mm	mm	mm	Kgs	
1½	1.900	600	62	5.50	3.70	7.60	1.50	6.6	
40	48.3	42	7	140	94	193	38	3.0	
2	2.375	600	150	6.15	4.13	7.60	1.97	8.8	
50	60.3	42	17	156	105	193	50	4.0	
2½	2.875	600	186	7.09	4.33	9.84	2.56	15.4	
65	73.0	42	21	180	110	250	65	7.0	
76.1 mm	3.000	600	186	7.09	4.33	9.84	2.56	15.4	
	76.1	42	21	180	110	250	65	7.0	
3	3.500	600	248	8.42	6.00	9.84	3.07	20.7	
80	88.9	42	28	214	152	250	78	9.4	
4	4.500	600	398	9.45	6.57	11.42	3.94	55.0	
100	114.3	42	45	240	167	290	100	25.0	

* Working pressure is for connection with cut- or roll-grooved schedule Sch. 40S pipe.

‡ For the first opening or closing of the valve when the valve is not continuously operated, an additional torque of 2.0 – 2.5 times the listed operating torque is normally required.

[^] The weight includes the lever handle.

Flow Data – Cv Values

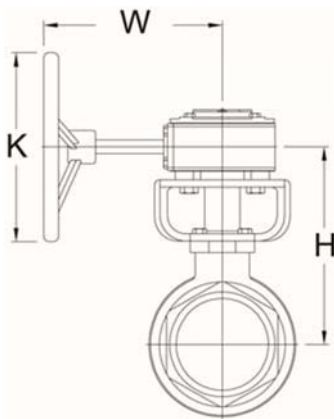
Values for flow of water at +60°F (+16°C).

$$C_v = \frac{Q}{\sqrt{\Delta P}}$$

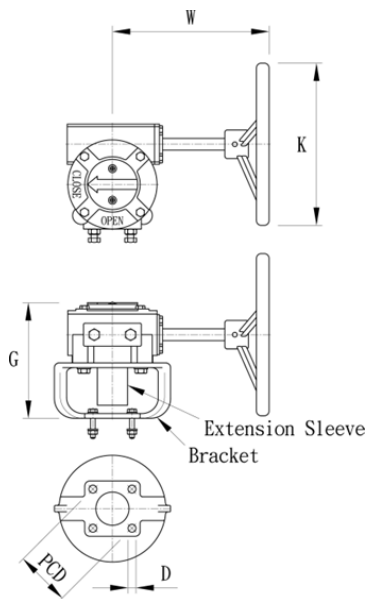
Where: Cv = Flow coefficient
 Q = Flow (GPM)
 ΔP = Pressure drop (psi)

Model SJ-600 Ball Valve					
Valve Size	Actual O.D.	Cv Value	Valve Size	Actual O.D.	Cv. Value
in mm	in mm		in mm	in mm	
1½ 40	1.900 48.3	270	76.1 mm	3.000 76.1	800
2 50	2.375 60.3	500	3 80	3.500 88.9	1200
2½ 65	2.875 73.0	800	4 100	4.500 114.3	2150

MODEL SJ-600W BALL VALVE WITH GEAR OPERATOR



Model SJ-600W Ball Valve with Gear Operator						
Nominal Size	Pipe O.D.	K	H	W	Weight	
in mm	in mm	in mm	in mm	in mm	Lbs Kgs	
2 50	2.375 60.3	5.98 152	5.38 137	8.00 203	17.82 8.10	
2½ 65	2.875 73.0	5.98 152	5.68 145	8.00 203	24.42 11.10	
76.1 mm	3.000 76.1	5.98 152	5.68 145	8.00 203	24.42 11.10	
3 80	3.500 88.9	5.98 152	7.16 182	8.00 203	29.70 13.50	
4 100	4.500 114.3	5.98 152	8.00 203	8.00 203	63.80 29.0	



Model SJ-600W Gear Operator and Bracket							
Nominal Size	W	K	G	PCD	D	Weight	
in mm	in mm	in mm	in mm	in mm	in mm	Lbs Kgs	
1½ 40	8 203	5.98 152	5.35 136	1.64 42	0.31 8	11 5	
2 50	8 203	5.98 152	5.35 136	1.97 50	0.31 8	11 5	
2½ 65	8 203	5.98 152	5.35 136	1.97 50	0.31 8	11 5	
3 80	8 203	5.98 152	5.55 141	2.75 70	0.40 10	15 7	
4 100	8 203	5.98 152	5.55 141	2.75 70	0.40 10	15 7	

MATERIAL SPECIFICATIONS

- **Body and End Cap:**
Type 316 stainless steel.
- **Stem:**
Type 316 stainless steel.
- **Ball:**
Type 316 stainless steel.
- **Seats:**
Virgin TFE.
- **Seals:**
R-PTFE.
- **Lever Handle:**
Type 304 stainless steel.
- **Bracket:**
Ductile Iron to ASTM A536, Gr. 65-45-12 and or ASTM A395, Gr. 65-45-15, min. tensile strength 65,000 psi (448 MPa).
- **Extension Sleeve:**
Ductile Iron to ASTM A536, Gr. 65-45-12 and or ASTM A395, Gr. 65-45-15, min. tensile strength 65,000 psi (448 MPa).

General Notes:

- **Maximum Working Pressure (CWP)** listed is the maximum cold water pressure for general piping services tested to ASTM F1476 and or AWWA C606 methods. Figures listed are based on roll-or cut-grooved standard wall stainless steel pipe. For other pipe schedules or pipe materials, contact **Shurjoint** for additional information.
- **Field Joint Test:** For one time only the system may be tested hydrostatically at 1½ times the maximum working pressure listed (AWWA C606 5.2.3).
- **Warning:** Piping systems must always be depressurized and drained before attempting disassembly and or removal of any components.
- **Shurjoint** reserves the right to change specifications, designs and or standard without notice and without incurring any obligations

*Shurjoint product specifications in U.S. customary units and metric are approximate and are provided for reference only. For precise measurements, please contact **Shurjoint Technical Service**. **Shurjoint** reserves the right to change or modify product design, construction, specifications, or materials without prior notice and without incurring any obligations to make such changes and modifications on **Shurjoint** products previously subsequently sold.*